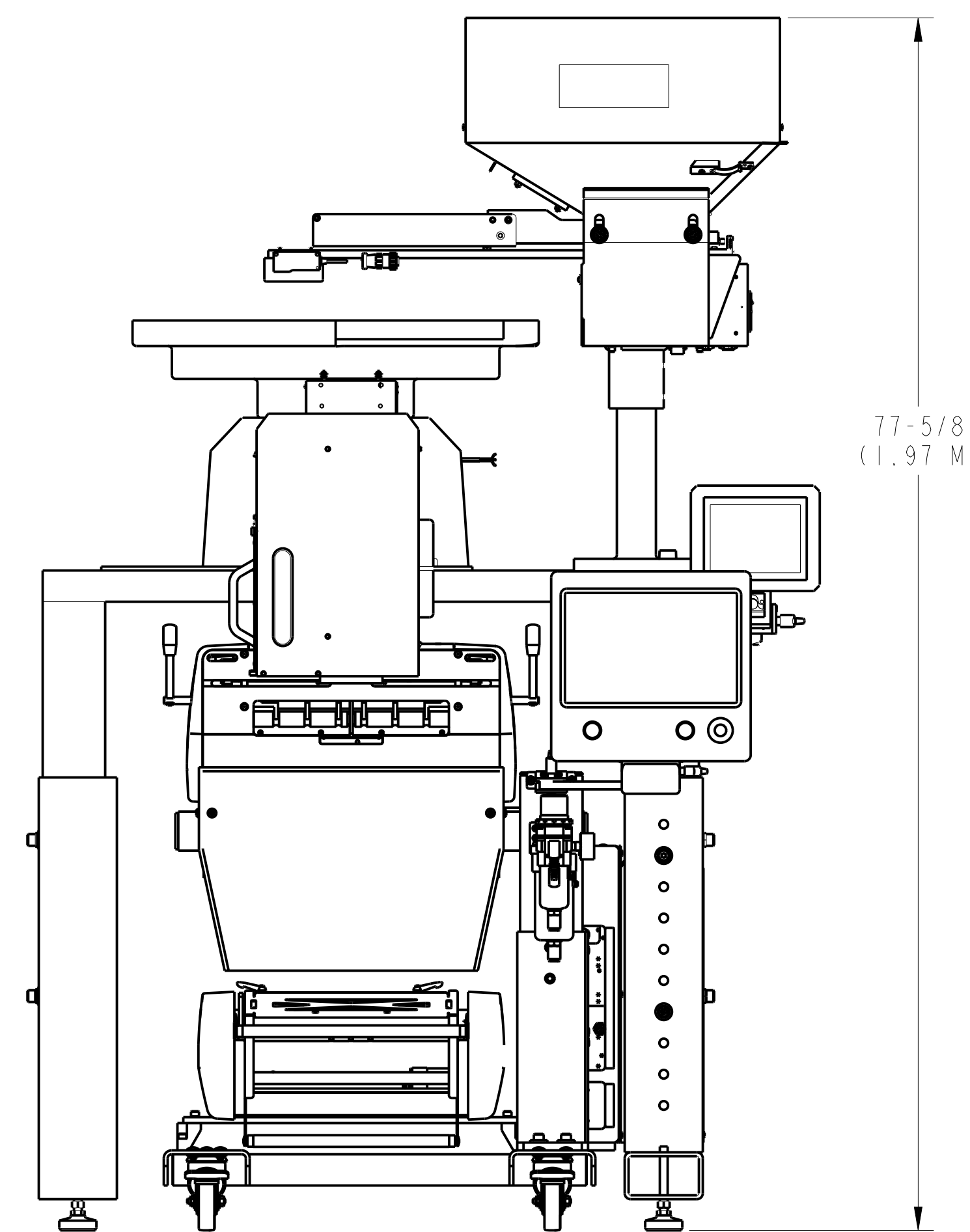
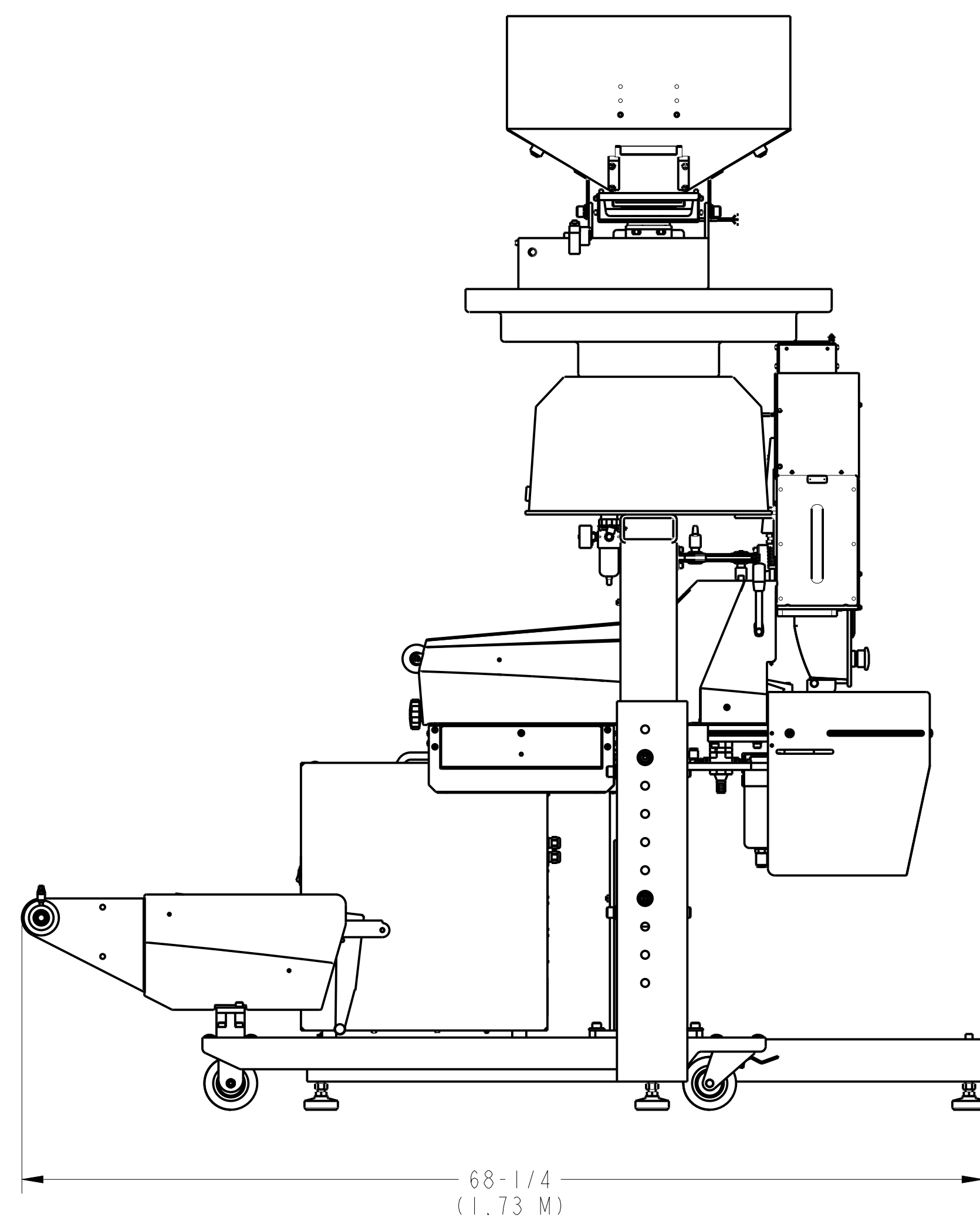
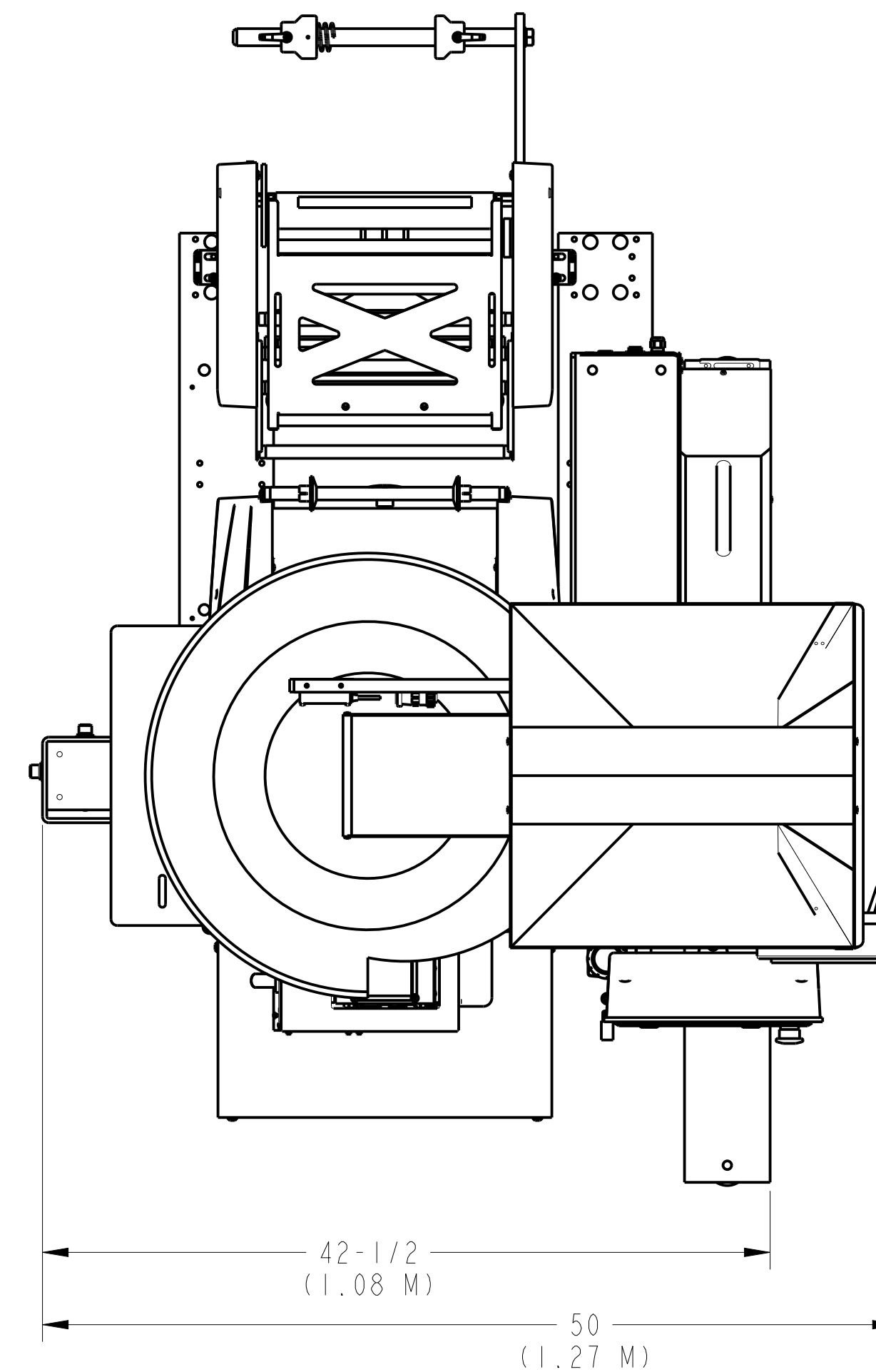


SPECIFICATIONS - AB500	
WEIGHT	350 LBS (158.6 KG)
ELECTRICAL	UNIVERSAL INPUT, 100V TO 240 VAC, 50/60 Hz POWER CONSUMPTION: 1500 W (VA) MAX
AIR FEED	5 CFM@80 80 PSI (144 LPM@ 5.5 BAR)
PASS-THROUGH	UP TO 5 INCHES (12.7 CM)
BAG THICKNESS	1.09 - 4.0 MIL
BAG SIZES	WIDTH: 2-12 INCHES (5.1 - 30.5 CM) LENGTH 3 -20 INCHES (7.6 - 50.8 CM)
WEIGHT CAPACITY	UP TO 5 LBS - SUPPORTED (2.68 KG)

SPECIFICATIONS - AC200 (EA)	
WEIGHT	350 LBS (158.6 KG)
ELECTRICAL	UNIVERSAL INPUT, 100V TO 240 VAC, 50/60 Hz 12/6 AMPS
AIR FEED	5 CFM@80 80 PSI (144 LPM@ 5.5 BAR)



FINISH	NONE
MATERIAL	AB500, AC200A
MACHINE SURFACES TO BE NO GREATER THAN 125 13.21 ✓ UNLESS OTHERWISE NOTED PART MUST BE FREE OF BURRS AND SHARP EDGES	
TOLERANCE	INCHES mm
1 PLACE DIMS	±.01 ±.25
2 PLACE DIMS	±.02 ±.51
3 PLACE DIMS	±.005 ±.10
ANGLES	± 1/2°
NOTICE: THIS DOCUMENT CONTAINS PROPRIETARY INFORMATION AND IT SHALL NOT BE USED OR REPRODUCED OR ITS CONTENT DISCLOSED, IN WHOLE OR PART, WITHOUT THE PRIOR WRITTEN CONSENT OF AUTOMATED PACKAGING SYSTEMS INC.	
INCH [MM]	THIRD ANGLE PROJECTION

REV	BY	DATE	ECN	DESCRIPTION

		10175 PHILIPP PARKWAY - STREETSBORO, OH 44241	
DRAWING SIZE	SCALE	DRAWN BY	BOM REFERENCE NUMBER
D	1/8	NAME: 123456	NONE
TITLE		DRAWING NO.	
FOOTPRINT, AB500, AC200 TOP LOAD COUNTER		SHEET 1 OF 1	
FP261		REV A	

Fabricated & Documented to be RoHS Compliant