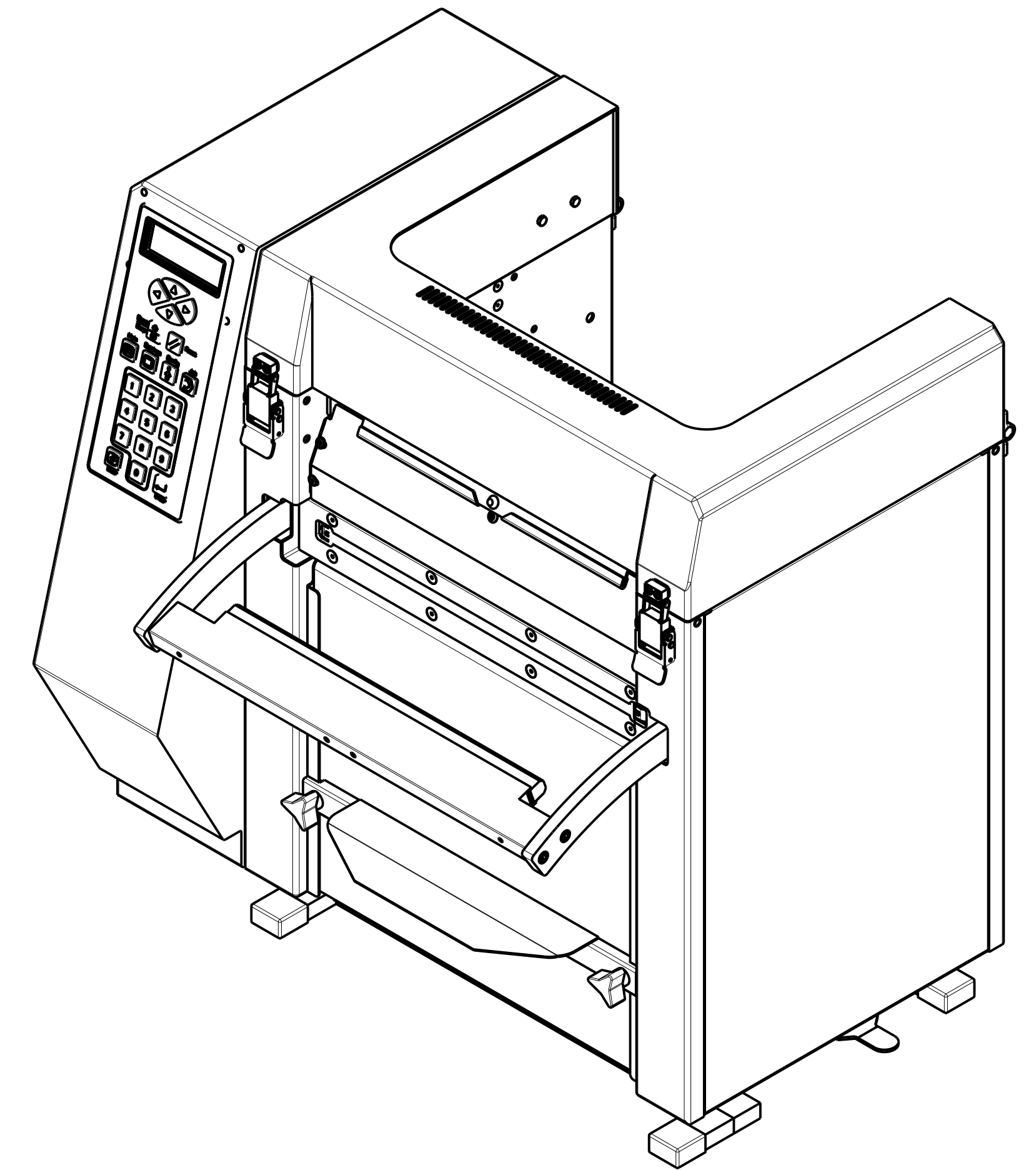
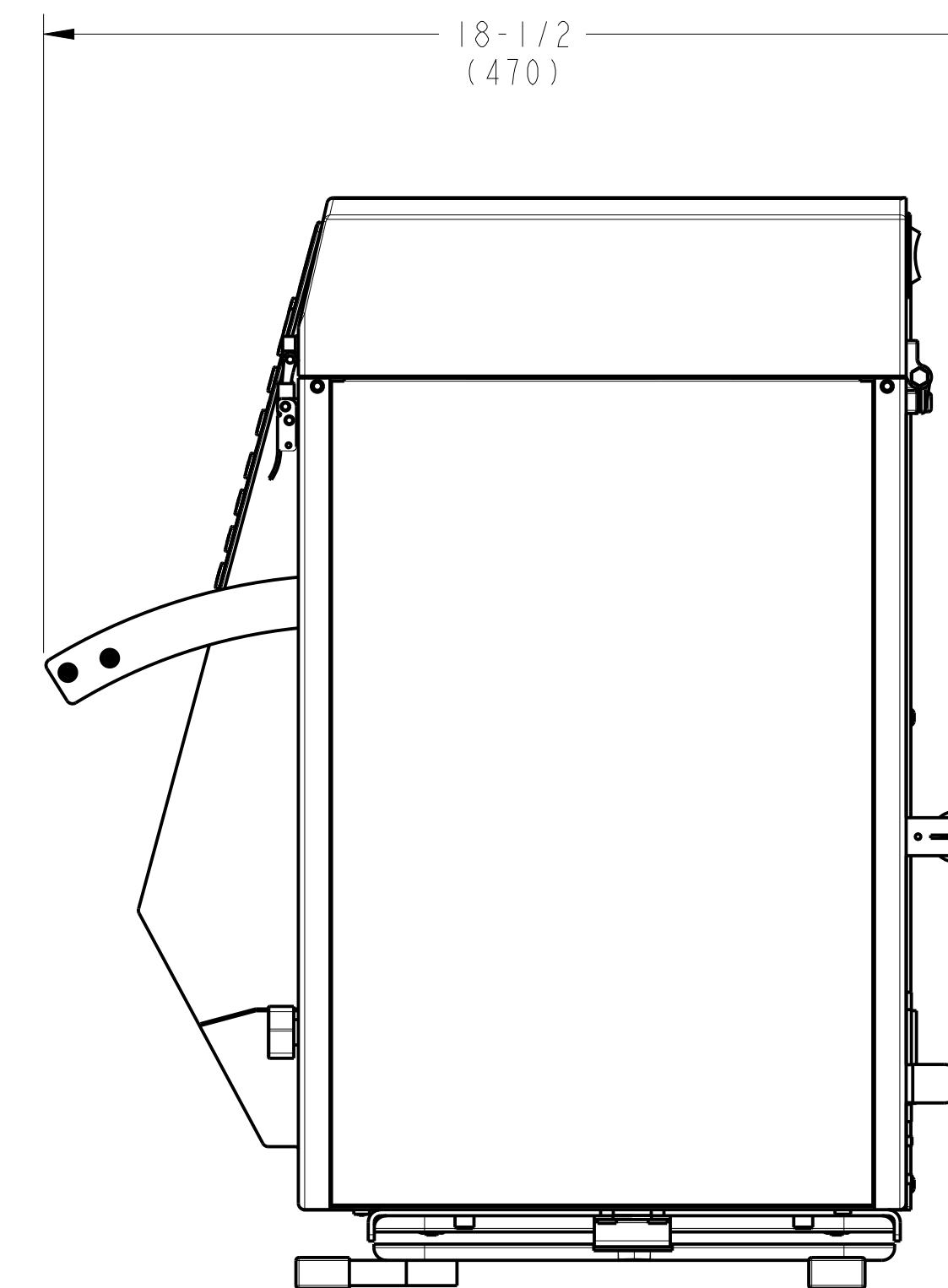
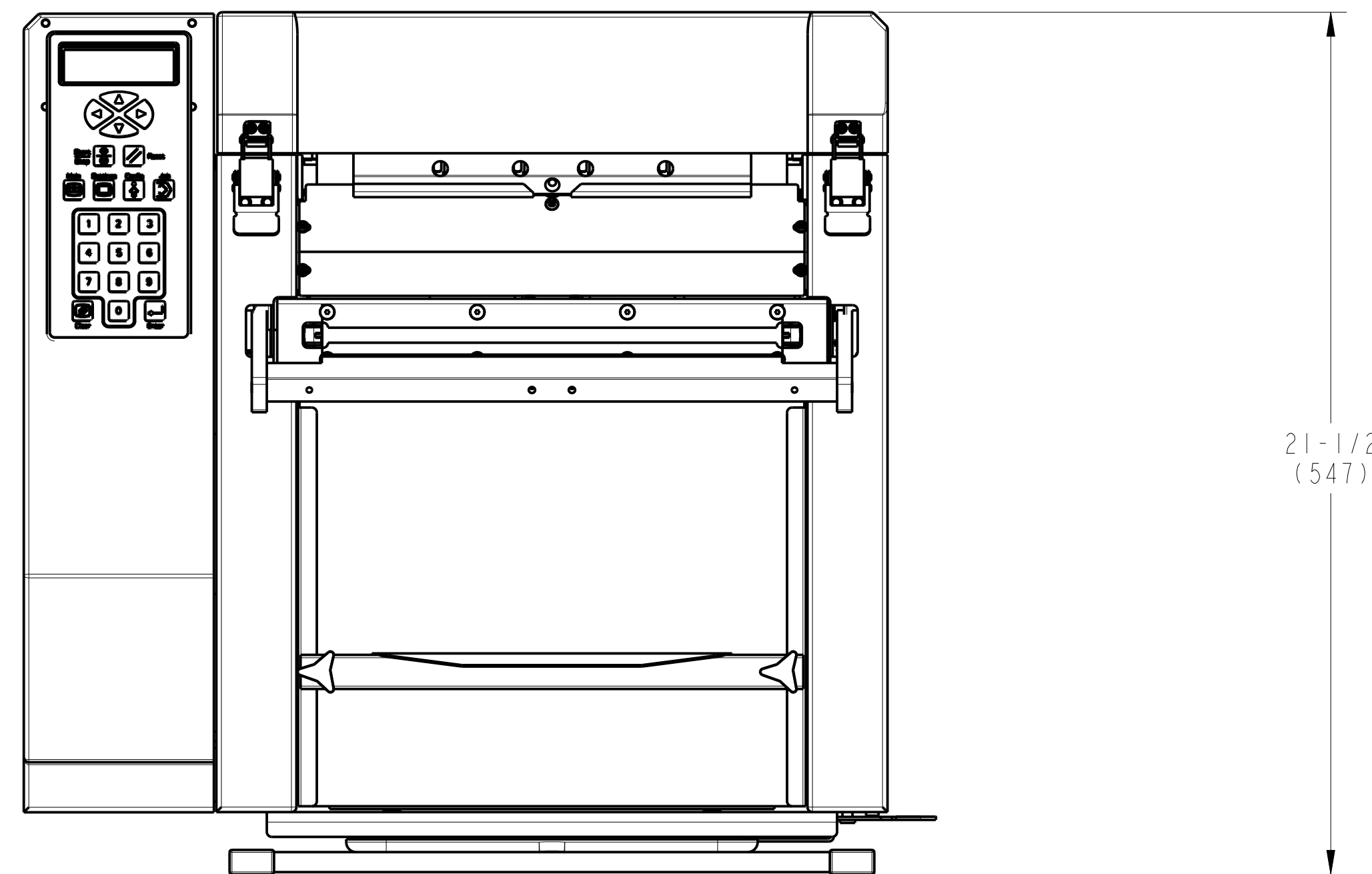
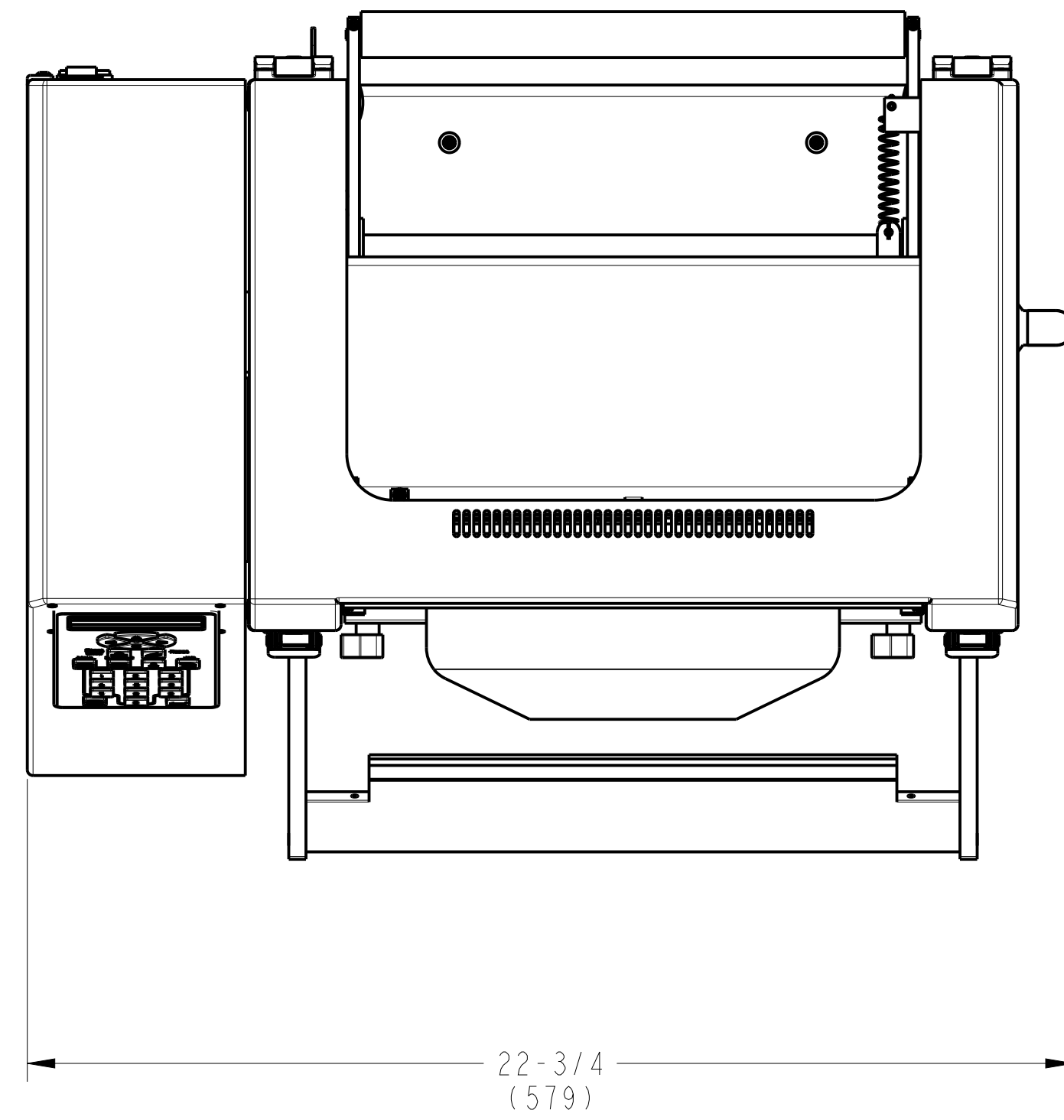


TECHNICAL SPECIFICATIONS - BAGGER:

- WEIGHT: 110 lbs [50kg]
- ELECTRICAL: 110/230 VAC; 50/60 Hz; 5.0/2.7 AMPS
- PRODUCT PASS THROUGH: 3.4 IN [15,2 cm]
- BAG THICKNESS: 1.0 to 4.0 mil
- BAG SIZES W 2 to 10.5 in L 4 to 17in.



Fabricated & Documented  
to be RoHS Compliant

FINISH	NONE
MATERIAL	
MACHINE SURFACES TO BE NO GREATER THAN 125 13,21 ✓ UNLESS OTHERWISE NOTED PART MUST BE FREE OF BURRS AND SHARP EDGES	
TOLERANCE	INCHES mm
1 PLACE DIMS	±.01 ±.25
2 PLACE DIMS	±.02 ±.51
3 PLACE DIMS	±.005 ±.10
ANGLES	± 1/2°
NOTICE: THIS DOCUMENT CONTAINS PROPRIETARY INFORMATION AND IT SHALL NOT BE USED OR REPRODUCED OR ITS CONTENT DISCLOSED, IN WHOLE OR PART, WITHOUT THE PRIOR WRITTEN CONSENT OF AUTOMATED PACKAGING SYSTEMS INC.	
INCH [MM]	THIRD ANGLE PROJECTION

REV	BY	DATE	ECN	DESCRIPTION
A	GHM	4-19-16	463	NEW DRAWING



DRAWING SIZE	SCALE	DRAWN BY	BOM REFERENCE NUMBER
D	5/16	NAME: GHM DATE: 4-19-16	
TITLE	ASS'Y, PS 125 WITHOUT PRINTER		DRAWING NO. SHEET 1 OF 1 FP223